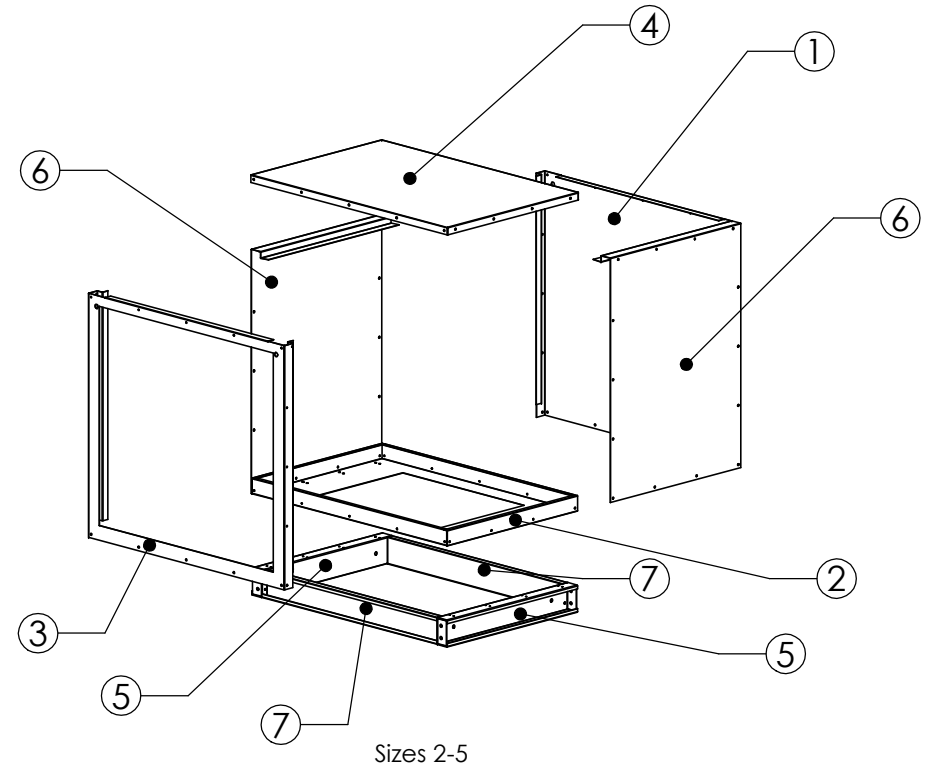
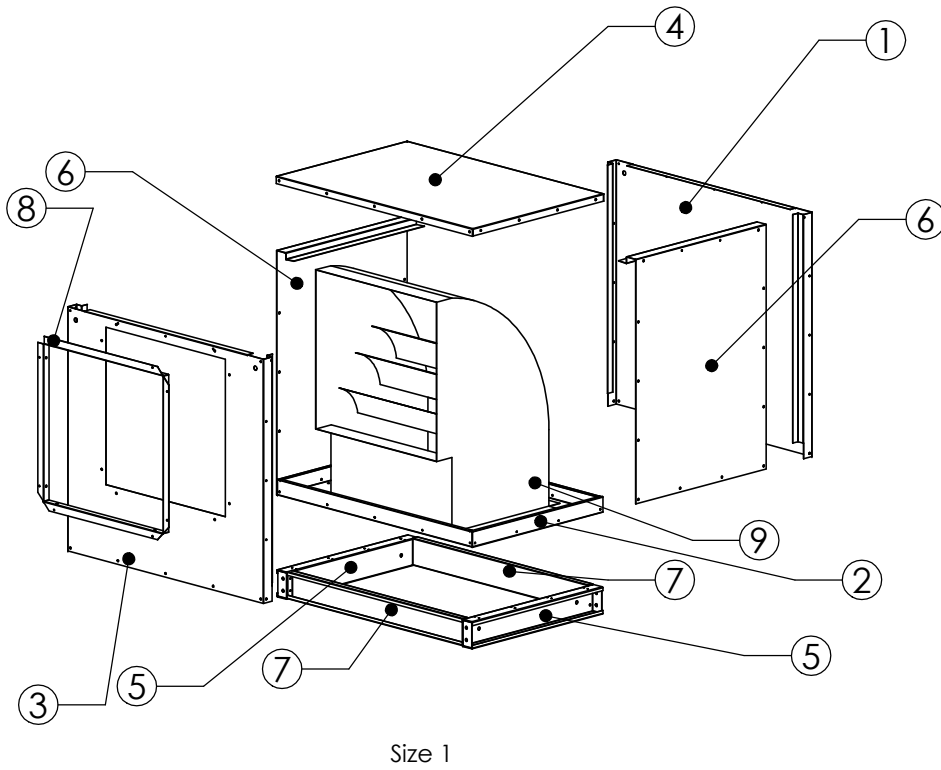


DOWNTURN &
UPTURN PLENUM
EXPLODED VIEW

9/17/14

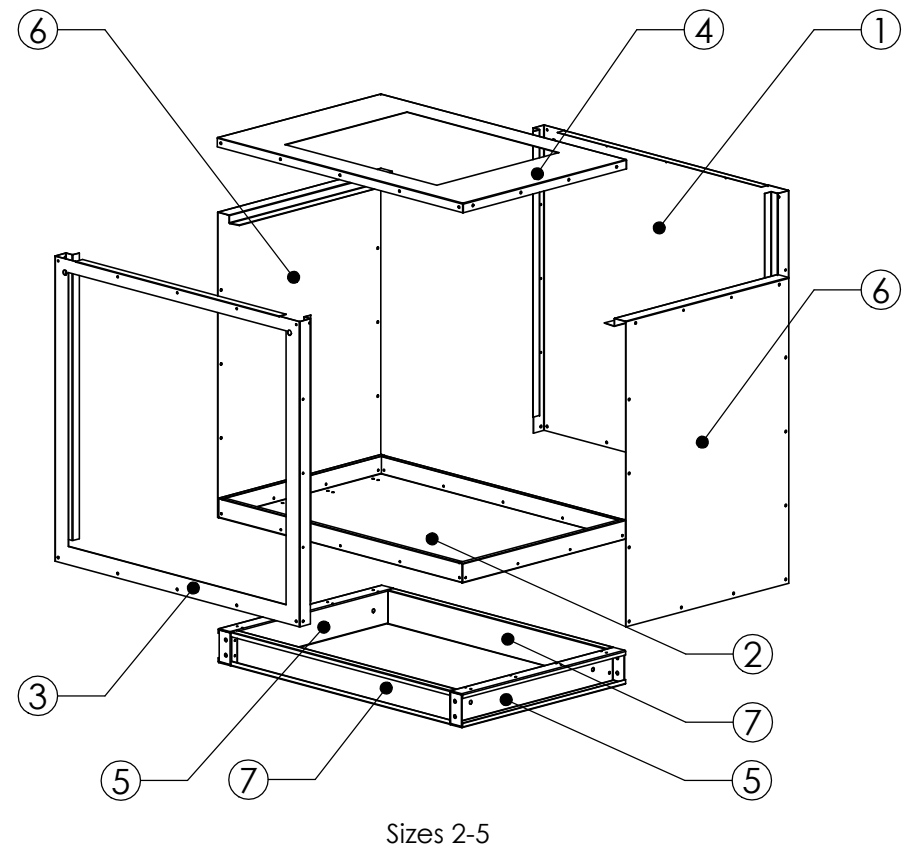
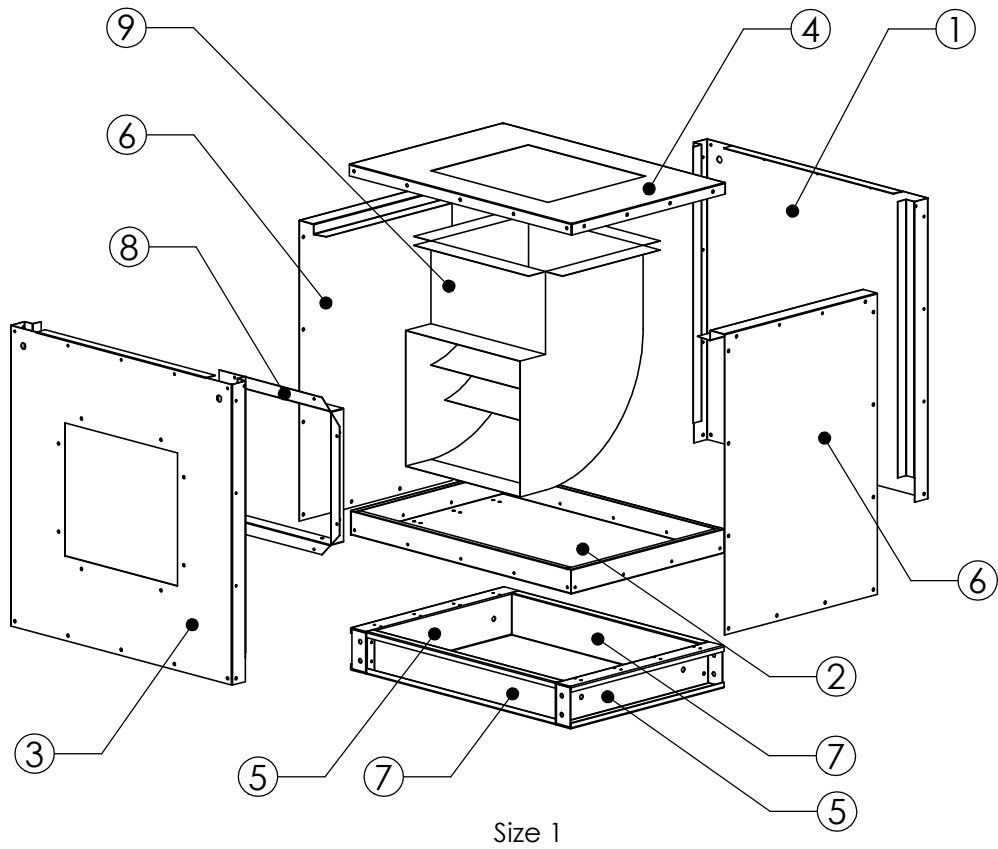
DOWNTURN PLENUM EXPLODED VIEW



Item #	Description	DP 1	DP 2	DP 3	DP 4	DP 5
1	Back	P1BACK	P2BACK	P3BACK	P4BACK	P5BACK
2	Bottom	P1BOTT	P2BOTT	P3BOTT	P4BOTT	P5BOTT
3	Front	P1FRNT	P2FRNT	P3FRNT	P4FRNT	P5FRNT
4	Lid	P1LIDD	P2LIDD	P3LIDD	P4LIDD	P5LIDD
5	Main Rail	P1MNRL (2)	P2MNRL (2)	P3MNRL (2)	P4MNRL (2)	P4MNRL (2)
6	Side	P1SIDE (2)	P2SIDE (2)	P3SIDE (2)	P4SIDE (2)	P5SIDE (2)
7	End Flashing	M1EFLS (2)	M2EFLS (2)	M3EFLS (2)	M4EFLS (2)	M5EFLS (2)
8	Collar	B1G10COL	N/A			
9	Elbow	P1Elbow				

ONLY ONE PART USED UNLESS OTHERWISE NOTED

UPTURN PLENUM EXPLODED VIEW



Item #	Description	UP 1	UP 2	UP 3	UP 4	UP 5
1	Back	P1BACK	P2BACK	P3BACK	P4BACK	P5BACK
2	Bottom	P1UBOTT	P2UBOTT	P3UBOTT	P4UBOTT	P5UBOTT
3	Front	P1FRNT	P2FRNT	P3FRNT	P4FRNT	P5FRNT
4	Lid	P1ULIDD	P2ULIDD	P3ULIDD	P4ULIDD	P5ULIDD
5	Main Rail	P1MNRL (2)	P2MNRL (2)	P3MNRL (2)	P4MNRL (2)	P4MNRL (2)
6	Side	P1SIDE (2)	P2SIDE (2)	P3SIDE (2)	P4SIDE (2)	P5SIDE (2)
7	End Flashing	M1EFLS (2)	M2EFLS (2)	M3EFLS (2)	M4EFLS (2)	M5EFLS (2)
8	Collar	B1G10COL	N/A			
9	Elbow	P1Elbow	N/A			

ONLY ONE PART USED UNLESS OTHERWISE NOTED